

Turn Counting Dial

Model RB Series



Features:

- 1-13/16" diameter
- Analog

MODEL	RBB	RB	RBC
Counting Capacity, Maximum Turns	15		
For Shaft Diameter	1/4"		
For Bushing Diameter	1/2"	3/8"	
Depth: Maximum, From Face of Panel	1.17"	1.020"	
Shaft Extension: Maximum, From Face of Panel	.937"	0.812"	
Shaft Extension: Minimum, From Face of Panel	.703"	0.562"	
Bushing Extension: Maximum, From Face of Panel	.531"	0.406"	
Locking Mechanism	Positive Action		
Weight, Nominal	3.3 oz.	3.0 oz.	
Number of Set Screws	1		2
Numeral Height	0.100"		
Knob Material	Black Plastic		
Dial Finish	Black Numerals on Satin Chrome		
Housing Finish	Satin Chrome		
Operating Temperature Range	-55°C to +71°C		

	RBD	RBJ
Counting Capacity, Maximum Turns	15	
For Shaft Diameter	1/4"	1/8"
For Bushing Diameter	3/8"	1/4"
Depth: Maximum, From Face of Panel	1.020"	
Shaft Extension: Maximum, From Face of Panel	0.812"	
Shaft Extension: Minimum, From Face of Panel	0.562"	
Bushing Extension: Maximum, From Face of Panel	0.406"	0.297"
Locking Mechanism	Positive Action	
Weight, Nominal	3.0 oz.	
Number of Set Screws	1	
Numeral Height	0.100"	
Knob Material	Black Plastic	
Dial Finish	White Numerals on Black Matte	Black Numerals on Satin Chrome
Housing Finish	Black Matte	Satin Chrome
Operating Temperature Range	-55°C to +71°C	

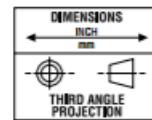
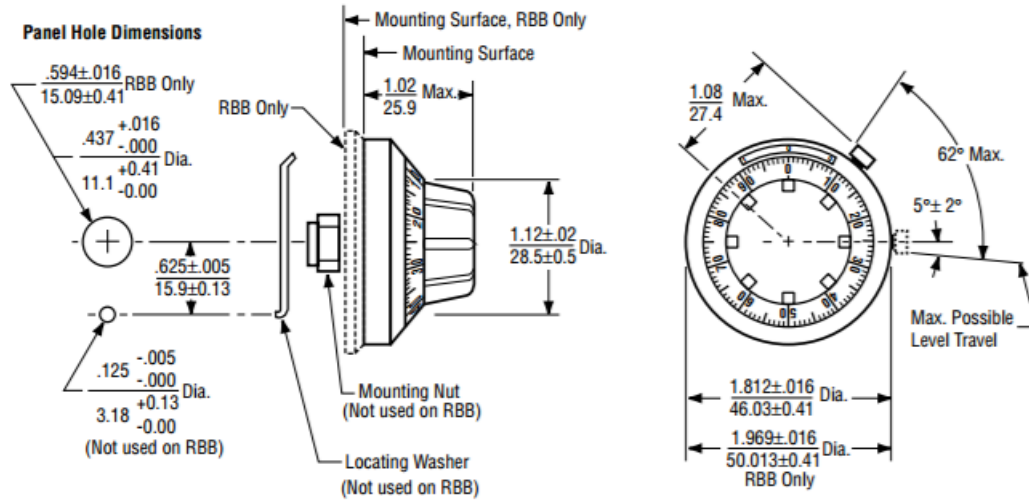
General Note

TT Electronics reserves the right to make changes in product specification without notice or liability. All information is subject to TT Electronics' own data and is considered accurate at time of going to print.

TT Electronics | BI Technologies
 4200 Bonita Place, Fullerton, CA USA 92835-1053 | Ph: +1 714-447-2300
www.ttelectronics.com | sensors@ttelectronics.com

Turn Counting Dial

Model RB Series



General Note
 TT Electronics reserves the right to make changes in product specification without notice or liability. All information is subject to TT Electronics' own data and is considered accurate at time of going to print.

TT Electronics | BI Technologies
 4200 Bonita Place, Fullerton, CA USA 92835-1053 | Ph: +1 714-447-2300
 www.ttelectronics.com | sensors@ttelectronics.com