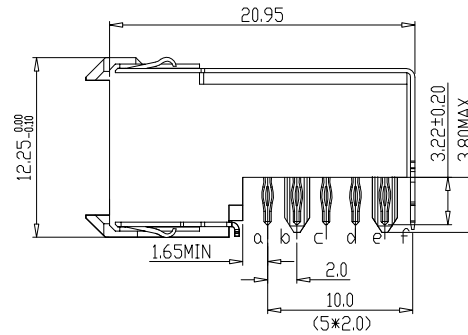
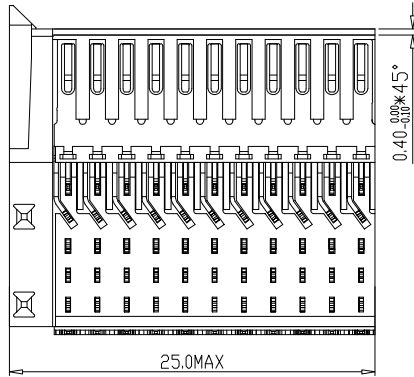
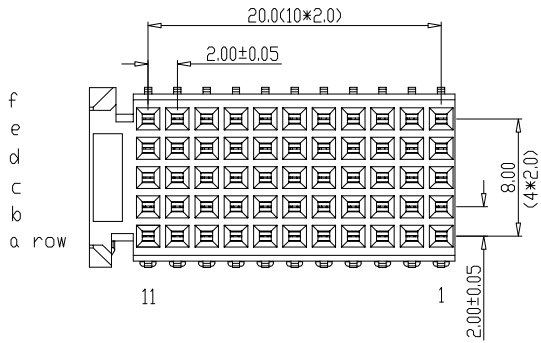




Tous droits strictement reserves. Reproduction ou communication a des tiers interdite sous quelque forme que ce soit sans autorisation écrite du propriétaire. Propriete de c FCI. Droits de reproduction FCI.

All rights strictly reserved. Reproduction or issue to third parties in any form whatever is not permitted without written authority from the proprietor. Property of FCI. Copyright FCI.



PERFORMANCE CHARACTERISTICS

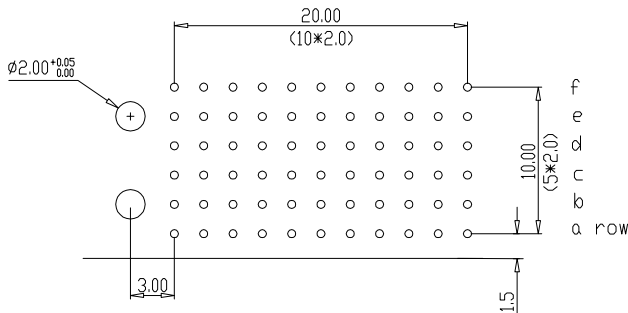
- CURRENT RATING 1.5A AT 20°C (FULLY LOADED)
- 1 A AT 70°C (FULLY LOADED)
- RATED VOLTAGE : 500 V AC (CONT /CONT)
- OPERATING TEMPERATURE : -55°C TO 125°C
- CONTACT RESISTANCE 20 M Ω MAX
- INSERTION FORCE : 0.75N MAX/CONT
- EXTRACTION FORCE : 0.15N MIN/CONT
- INSULATION RESISTANCE : 10⁴ MΩ MIN

NOTES 1. HM2R03PA5101 LEAD FREE INDICATOR : LF=LEAD FREE(DIGIT 13&14)
PLATING CODE(DIGIT 13&14)

Plating code	Plating	Performance Level
AA	0.75µm Au	IEC performance level 2(250mating cycles)orTELCORDIA (C)
AB	1.25µm Au	TELCORDIA UE

- THIS PRODUCT IS CSA APPROVED. THIS PRODUCT IS UL RECOGNIZED.
- FOR RECOMMENDED PTH DIMENSIONS REFER DRAWING : BSA.201572.001
- THIS PRODUCT (LF) MEETS EUROPEAN UNION DIRECTIVES AND OTHER COUNTRY REGULATIONS AS DESCRIBED IN GS-22-008

LAY-OUT
P.C.B.- HOLE



rev	ecn no	dr	date
A	DG09-0243	NZ	2009.12.1
B	DG10-0093	NZ	2010.3.8
C	DG10-0110	NZ	2010.6.8

Material		Spec ref				
Mat code		✓	tolerance 1DEC ± 0.2 1DEC 2DEC ± 0.1 2DEC ANGLES ± 1° HOEKEN			
Heattreat						
Plating/Finish						
Dr	Nickor Zuo	Jul-20-09	projection	MM		
Eng	Nickor Zuo	Jul-20-09	size A4		Scale 2.000	
Chr	PeiMing Zheng	Jul-20-09	Product family	MILLIPACS		
Appr	Joseph Hsia	Jul-20-09	Model Name	ECN		
			Model Revision	REL Level		
FCI title		MPACS 5+2R RA RCP CONN TYPE C		dwg no	BSC201418062	Rev. C
Pro/E file	catalog no	HM2R03PA5101----	CUSTOMER DRAWING	sheet 1 of 1		