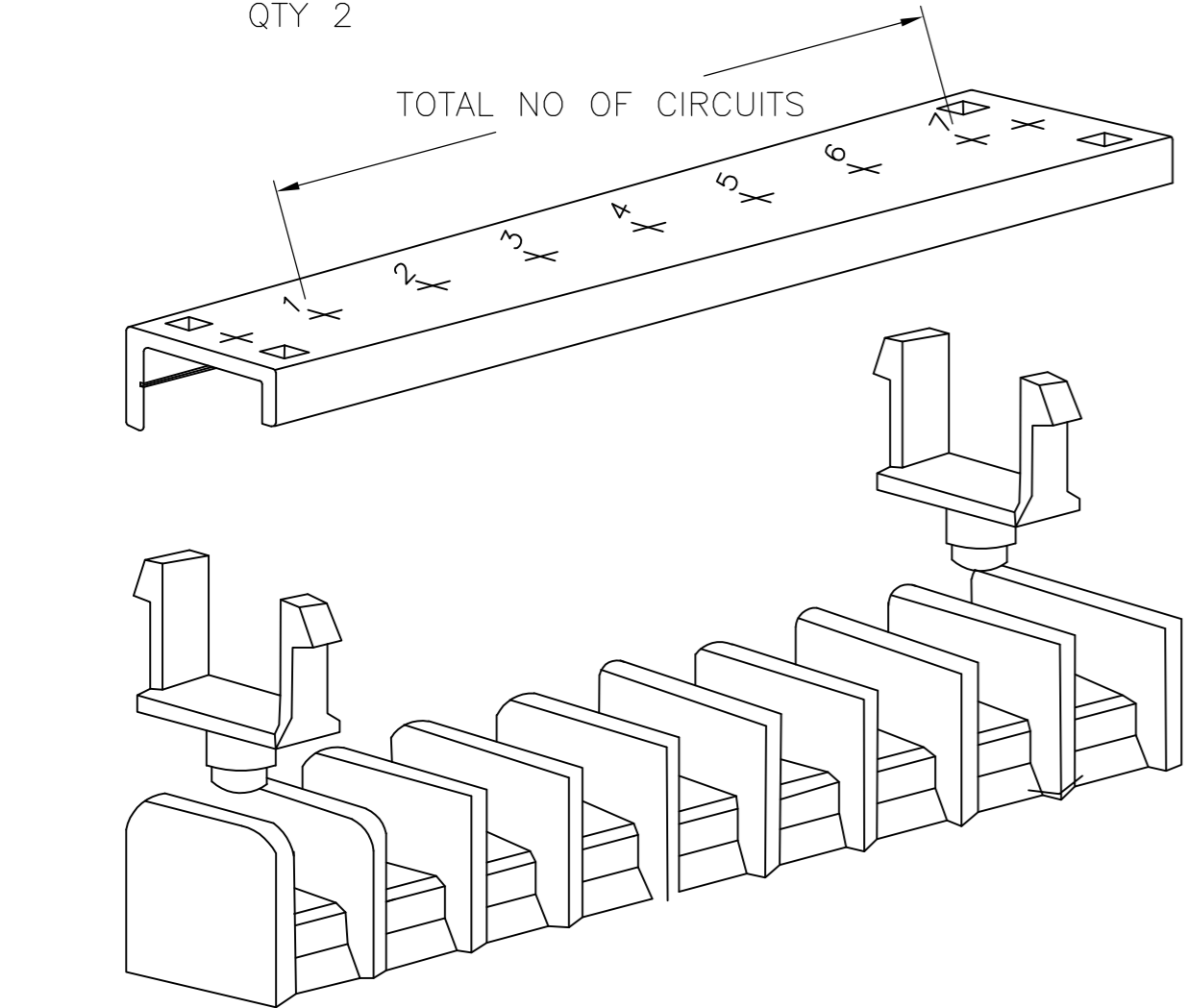
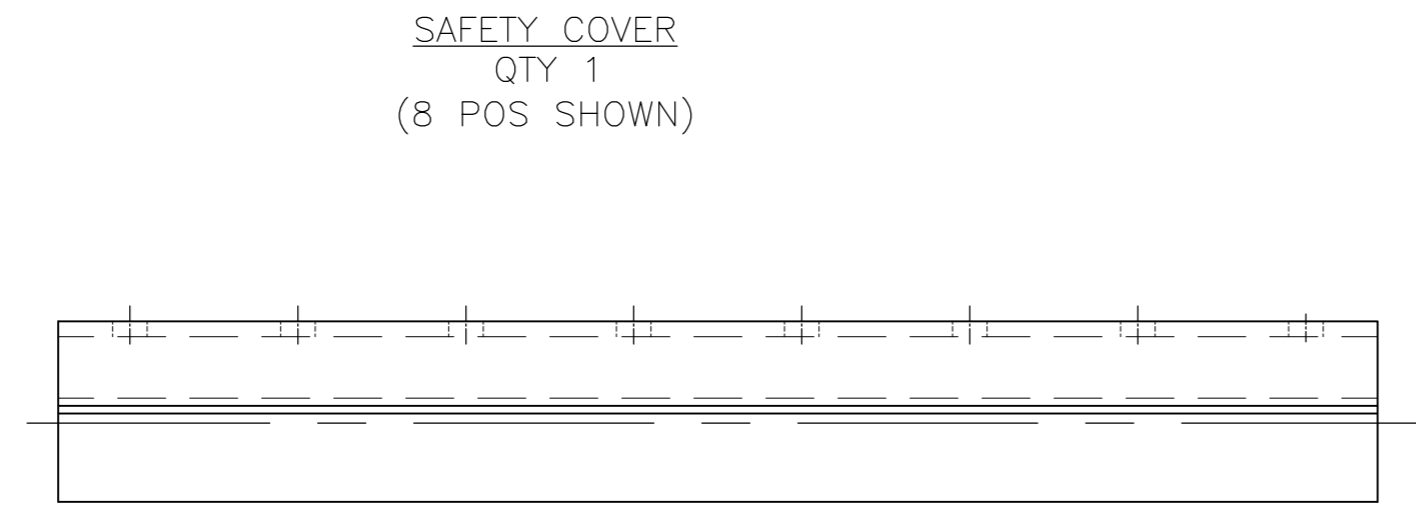
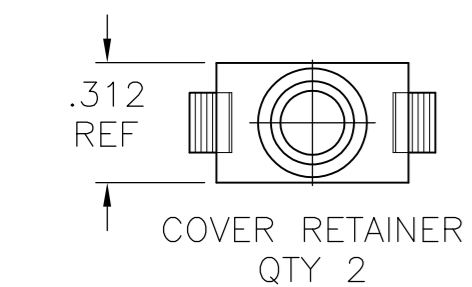
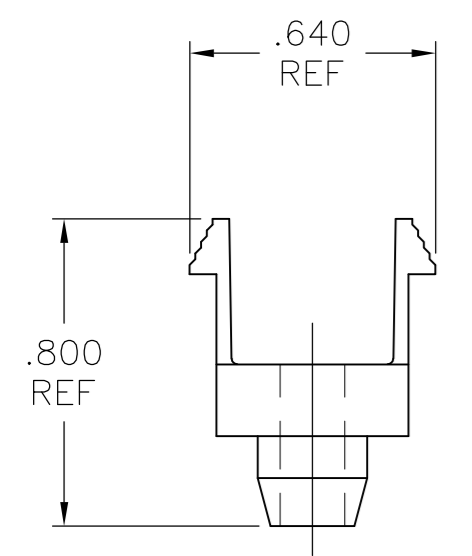
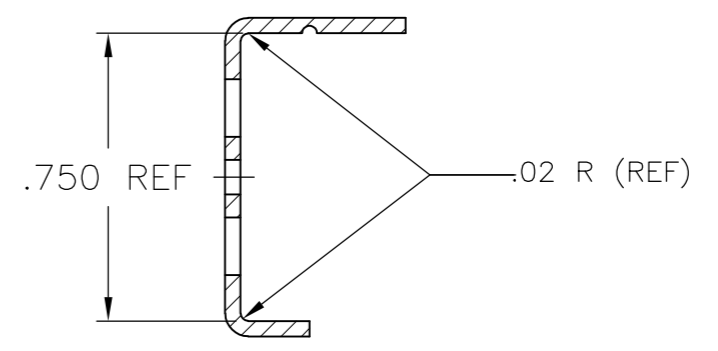
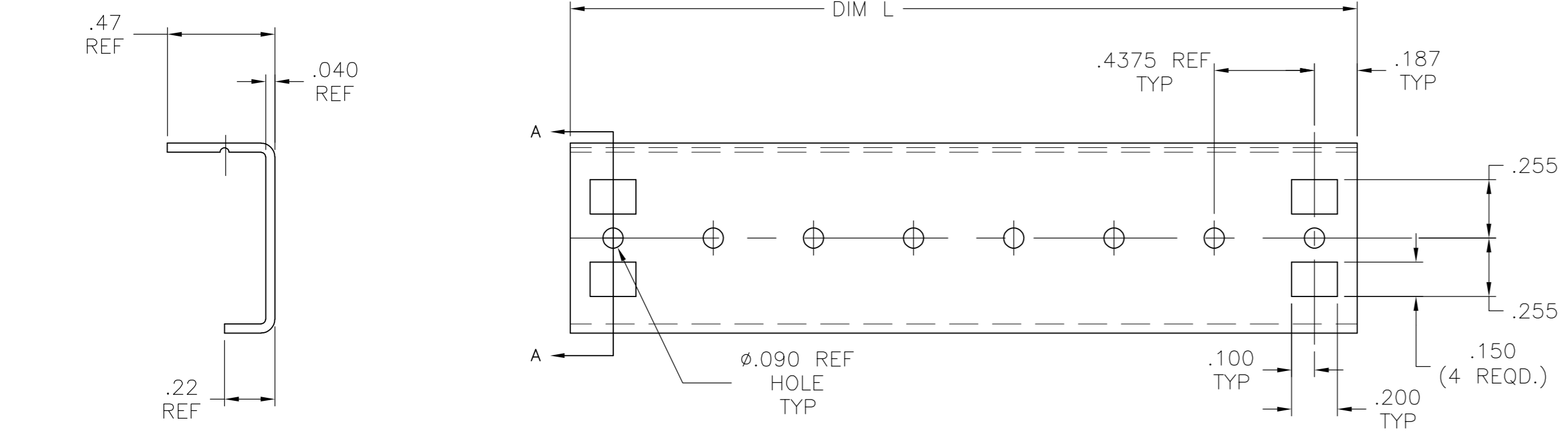


LOC		DIST		REVISIONS			
P	LTR	DESCRIPTION	DATE	DWN	APVD		
	N1	REVISED PER ECO-11-025521	01MAR12	KH	MS		



7
7=.4375 C/L SPACING

C
COVER MATERIAL YELLOW PVC

1
CLOSED BACK

*
N=NO MARKING F=FORWARD SEQUENCE

*
NUMBER OF CIRCUITS

2-1437402-1	11.312	26	24	7C1N24	2-1776436-4
2-1437402-1	10.875	25	23	7C1N23	2-1776436-3
2-1437402-1	10.437	24	22	7C1N22	2-1776436-2
2-1437402-1	10	23	21	7C1N21	2-1776436-1
2-1437402-1	9.563	22	20	7C1N20	2-1776436-0
2-1437402-1	8.687	20	18	7C1N18	1-1776436-8
2-1437402-1	8.25	19	17	7C1N17	1-1776436-7
2-1437402-1	7.375	17	15	7C1N15	1-1776436-5
2-1437402-1	6.937	16	14	7C1N14	1-1776436-4
2-1437402-1	5.625	13	11	7C1N11	1-1776436-1
2-1437402-1	9.125	21	19	7C1N19	5-1437418-0
2-1437402-1	7.812	18	16	7C1N16	4-1437418-9
2-1437402-1	6.062	14	12	7C1N12	4-1437418-8
2-1437402-1	5.187	12	10	7C1N10	4-1437418-7
2-1437402-1	4.75	11	9	7C1N09	4-1437418-6
2-1437402-1	4.312	10	8	7C1N08	4-1437418-5
2-1437402-1	3.875	9	7	7C1N07	4-1437418-4
2-1437402-1	3.437	8	6	7C1N06	4-1437418-3
2-1437402-1	3.000	7	5	7C1N05	4-1437418-2
2-1437402-1	2.562	6	4	7C1N04	4-1437418-1
2-1437402-1	2.125	5	3	7C1N03	4-1437418-0
2-1437402-1	1.687	4	2	7C1N02	3-1437418-9
2-1437402-1	6.5	15	13	7C1F13	3-1437418-7
COVER RETAINER QTY=2	DIM L ± 0.040	TOTAL NUMBER OF HOLES	TOTAL NUMBER OF CIRCUITS	CATALOG NUMBER	PART NUMBER

THIS DRAWING IS A CONTROLLED DOCUMENT.

DIMENSIONS: INCHES	TOLERANCES UNLESS OTHERWISE SPECIFIED:	DWN S SCHLEGEL 9/29/06	TE Connectivity SAFETY COVER KITS FOR SSB .4375 CENTERS
	0 PLC ± -	CHK S YODER 9/29/06	
	1 PLC ± -	APVD S YODER 9/29/06	
	2 PLC ± .01	PRODUCT SPEC	
MATERIAL	FINISH	APPLICATION SPEC	NAME SIZE CAGE CODE DRAWING NO RESTRICTED TO A2 00779 C=1437412-5 SCALE 2:1 SHEET 1 of 1 REV N1

CUSTOMER DRAWING