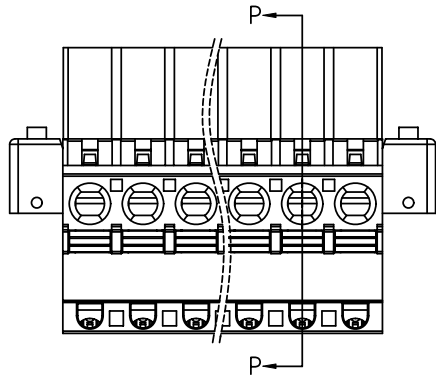


PRODUCT NUMBER	PITCH
H4xx70xD00J0G	5.00 mm



Dimension

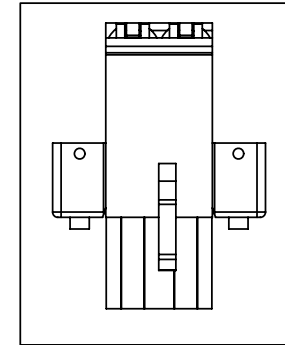
DIM A	$N \times 5.0 + 0.10$
DIM B	$(N-1) \times 5.0$
DIM C	$(N-1) \times 5.0 + 10.0$
DIM D	$(N-1) \times 5.0 + 15.1$

N=Number of poles

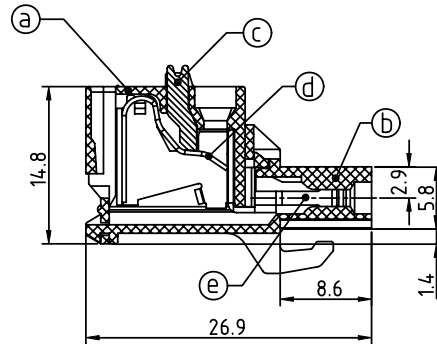
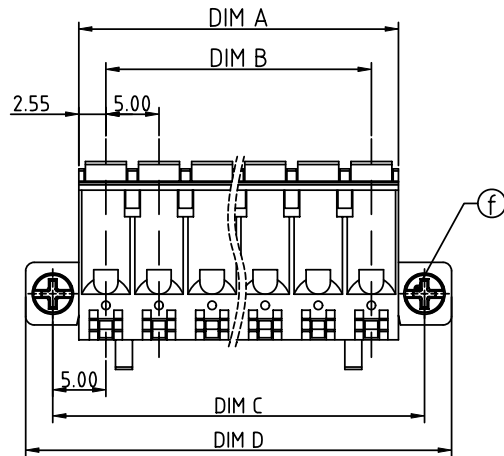
POLES	Tolerance
2p-6p	$\pm 0.15$
7p-12p	$\pm 0.25$
13p-16p	$\pm 0.35$
17p-24p	$\pm 0.40$

PART NO.: H4 xx 7 0 x D 00J0 G

Solid block	0 Black (RAL9005)	RoHS compliant (lead<4%) In copper Alloy
No. of poles	2 Red (RAL3001/D)	
02 2 poles	3 Orange(RAL2011/P)	
03 3 poles	4 Yellow(RAL1018/A)	
...	5 Green(RAL6018/T)	
24 24 poles	6 Blue (RAL5015/A)	
	8 Grey(RAL7035/D)	
	9 White(RAL1102)	
	C Green(RAL6018/U)	



2P



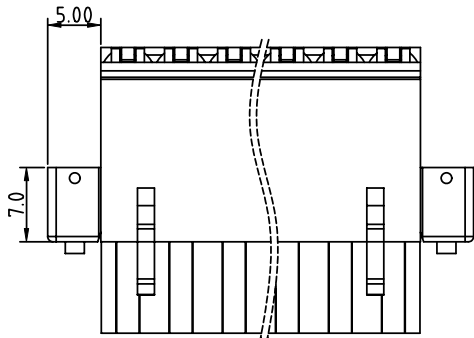
SECTION P-P

Material:

- ItemⒶ Top body: Thermoplastic ( UL94V-0 )
- ItemⒷ Bottom body: Thermoplastic ( UL94V-0 )
- ItemⒸ Terminal lever: Thermoplastic ( UL94V-0 ) Orange (RAL2001/P)
- ItemⒹ Spring Clamp: Stainless Steel
- ItemⒺ Female contact: PhBz ( CuSn ) Tin plated
- ItemⒻ Flange screw: Steel Zinc plating M2.5"/-"/"combination type

Electrical cULus

- Voltage rating: 300V
- Current rating: 10A
- Solid wire (AWG): 12-26
- Stranded wire (AWG): 12-26
- Wire strip length: 9-10mm
- Withstanding Voltage: 1.6KV
- Operating temperature: -40°C to +115°C
- Safety Approval: cULus



mat'l. code		surface ASME Y14.5	tolerance ASME Y14.5	projection	product family TERMINAL BLOCK	
ltr	ecn no	dr	date	 MM scale	title	
					TERMINAL BLOCK SPRING CLAMP, PLUGGABLE PLUG WITH FLANGE, HOOK ON BACK SIDE	
					dwg no	
					sheet 1 of 1 size	
					H4xx70xD00J0G A4	
					type CUSTOMER Drawing	
sheet index	revision sheet	A	1			