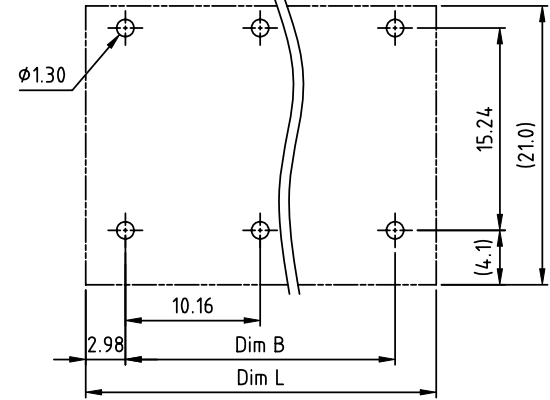
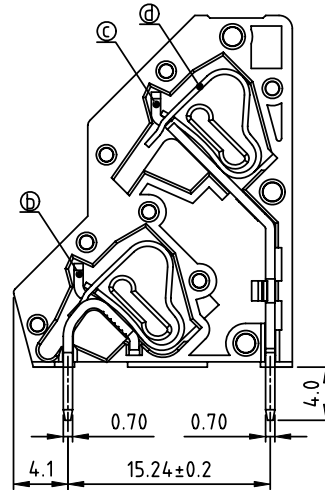
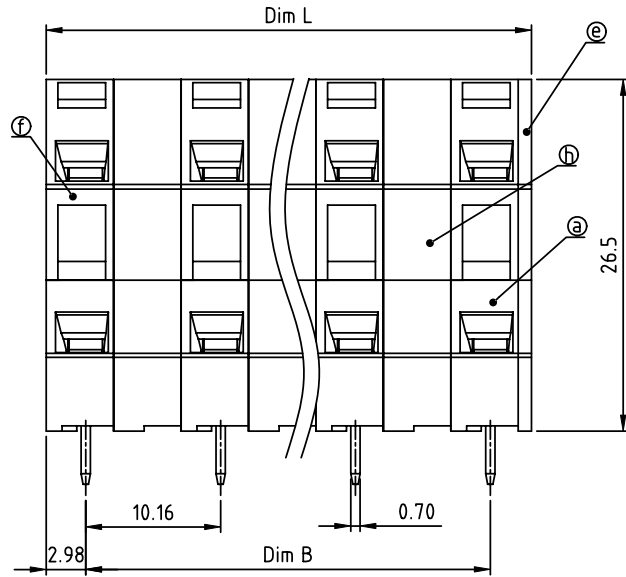


PRODUCT NUMBER	PITCH
HQxx40x000J0G	10.16mm



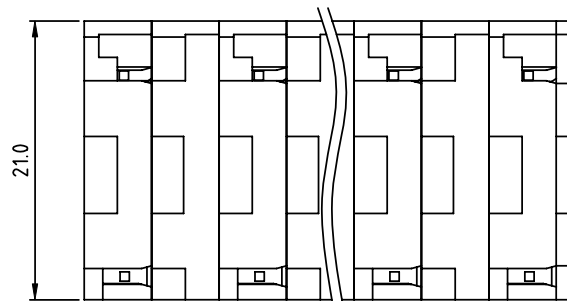
RECOMMENDED P.C.B LAYOUT  
TOP VIEW

Material:

- Item@Terminal housing: Thermoplastic ( UL94V-0 )
- ItemⓄShort pin: Brass, Tin plated
- ItemⓄLong pin: Brass, Tin plated
- ItemⓄSpring clamp: Stainless steel
- ItemⓄTerminal cover: Thermoplastic ( UL94V-0 )
- ItemⓄTerminal side housing: Thermoplastic ( UL94V-0 )
- ItemⓄPad board: Thermoplastic ( UL94V-0 )

Electrical:

- Voltage rating: 300V
- Current rating: 10A
- Wire range:
- Solid wire(AWG): 12-28
- Stranded wire(AWG): 12-28
- Wire strip length: 5-6mm
- Withstanding Voltage: 1.6KV
- Operating temperature: -40°C to +115°C
- Soldering temperature: 260°C±5°C/5 Sec
- Safety Approval: cULus



PART NO.: HQ xx 40 x 000J0 G

N=Number of poles  
Dim L=(N/2-1)×10.16+6.08  
Dim B=(N/2-1)×10.16

Poles	Dim L	Dim B
2×2p-2×6p	±0.15	±0.15
2×7p-2×12p	±0.30	±0.30

No. of poles	Color	RoHS compliant
0	Black (RAL9005)	(lead<4%)
2	Red (RAL3001/D)	In copper Alloy
04 2x2 poles	3 Orange(RAL2011/P)	
06 2x3 poles	4 Yellow(RAL1018/A)	
...	5 Green(RAL6018/T)	
24 2x12 poles	6 Blue (RAL5015/A)	
	8 Grey(RAL7004/P)	
	9 White(RAL1102)	
	C Multiple colors	

mat'l. code		surface ASME Y14.5	tolerance ASME Y14.5	projection	product family
ltr ecn no dr date		tolerances unless otherwise specified		MM	TERMINAL BLOCK
angles		X.±0.5			title
X°±1'		X.X±0.3			TERMINAL BLOCK
dr		X.XX±0.1		scale	SPRING CLAMP,45D WIRE INLET,2-LEVEL, PARALLEL TYPE
enr					dwg no
chr					sheet 1 of 1
appd					size
sheet index					HQxx40x000J0G
revision					A4
sheet					type
1					CUSTOMER Drawing